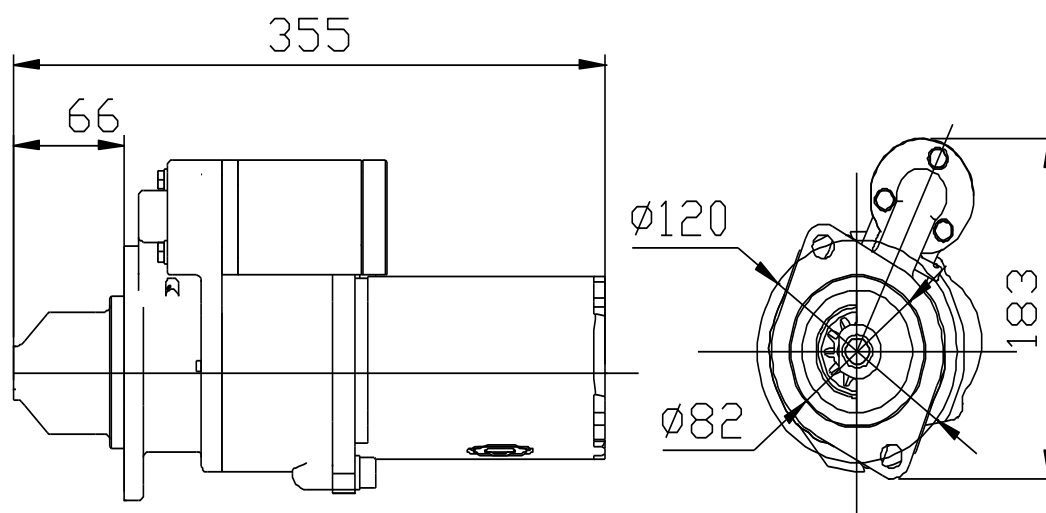


外形尺寸图(Overall Dimension):



主要技术参数(Main Technical Data):

型号 Model		SY316
额定功率 Rated power	kw	6.5
最高转速 Max. speed	r/min	3000
额定工作压力 Rated working pressure	M pa	16
高压油管工作压力 Working pressure of hydraulic hose	M pa	16
额定起动扭矩 Rated starting torque	N · m	32.2
蓄能器工作压力 Working pressure of accumulator	M pa	16
蓄能器氮气压力 Nitrogen gas pressure of bladder accumulator	M pa	8.5
液压油箱容量 Hydraulic oil capacity	L	12
低压油管工作压力 Working pressure of low pressure hose	M pa	10